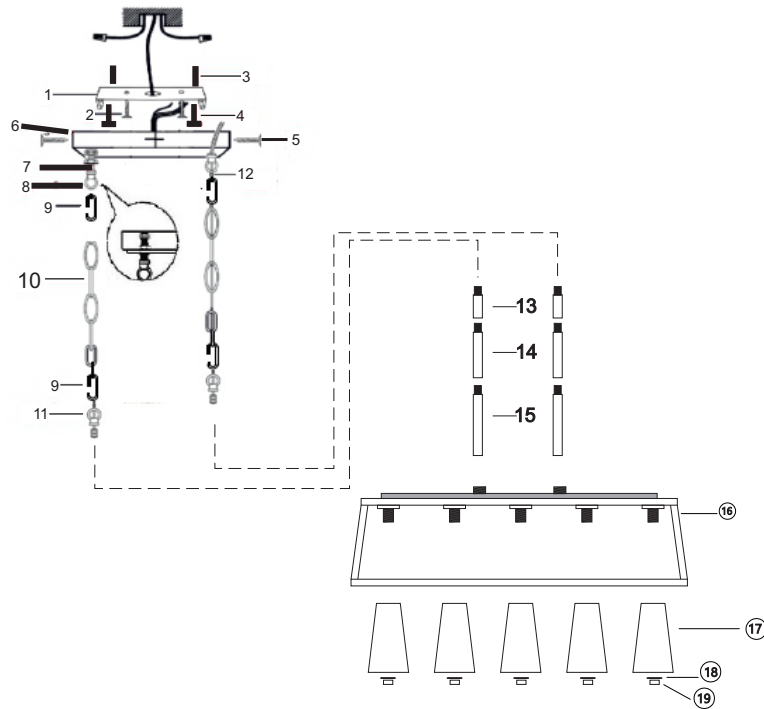


**ASSEMBLY AND INSTALLATION INSTRUCTIONS for the *840551HN-504* Fixture**

**Important Safety information (Please read before proceeding)**

1. Remove the fixture, parts and all mounting hardware bags (orange) from the carton and verify that all parts are present according to the illustration sheet. All parts must be used as indicated. Do not replace any parts, leave any parts out, or use any parts which are worn out or broken. **Failure to follow the instructions could cause a hazardous situation, voids the warranty and violates the U.L. listing of the fixture.**
2. To prevent the electric shock, turn off the main power at the circuit breaker before installing the fixture. **NEVER attempt to install, clean or replace bulbs without shutting off the electricity to the fixture.**
3. **Never use light bulbs with wattage ratings that exceed the fixtures maximum rating.** Always make sure the electric current is turned off before changing the bulbs.
4. If you experience difficulties installing the lighting fixture or it fails to work as expected, please contact a local qualified licensed electrical
5. Please contact your local Capital Lighting Fixture reseller with any assembly or installation questions. Your local reseller can also provide you with replacement parts for your new fixture.



**Components**

1. Mounting Bracket w/Green Screw
2. Outlet Box Mounting Screws
3. Plastic Anchor
4. Wood Screws
5. Mounting Plate Screws
6. Mounting Plate
7. Turn Buckle
8. Loop
9. Chain Link
10. Chain
11. Loop
12. Lead Wire
13. 6" Rod
14. 12" Rod
15. 18" Rod
16. Fixture
17. Glass Shade
18. Flat Washer
19. Retaining Ring

**Assembly Instructions for the *840551HN-504* fixture**

1. Please open the box and take out the Glass shade (17) and fixture (16) remove the retaining ring (19) and Flat washer (18) put the holder of fixture (16) on the Glass shade (17) now put the flat washer (18) and screw the retaining ring (19) on the holder of fixture (16).
2. Pass lead wire from fixture (16) through unassembled Rod (15), Rod (14), Rod (13), Loop (11), then screw all together after that repeat the same assembly steps for another side Note: The fixture height can be adjusted by varying the number of rods or chain used in the assembly.
3. Pass lead wire (12) thru one Chain link (9), chain (10), Loop (8), another chain link (9) From Mounting plate (5), finally, connect all of them together, after that, repeat the same assembly steps for another without wiring.
4. Find appropriate threaded hole on Mounting bracket (1). then assemble mounting bracket (1) to mounting surface using hardware suitable for material of mounting surface. Mark position of holes on mounting surface before using provided plastic anchors (3). drill appropriate holes and assemble as illustrated assembly steps for another without wiring.
5. Attach Mounting bracket (1) to Outlet Box with outlet box Mounting Screws (2). and to mounting surface with wood screws (4) tightly.
6. Raise whole Fixture (16) toward outlet box, and then connect fixture ground wire to the outlet box ground wire with wire connector supplied connector the common wire of the lamp cord to the power supply white wire with connector supplied: connect supply wire of the lamp cord to the power supply black wire with wire connector supplied. Note: This fixture is wired using 2 connector Lamp cord. The insulation between the two conductors with ribs embossed in the center for better access to the two conductors. The common wire on the lamp cord is identified as the conductor with ribs in the rubber wire insulation.
7. Push fixture to **ceiling** then verify all wire are securely inside Mounting Plate (6), Finally, secure Mounting Plate (6) in place by tightening Mounting Plate side screw (5) on to Mounting Bracket (1).

Note: If the fixture is not leveled after hung, Please adjust (screw) the turn buckle (7) up or down to help it.